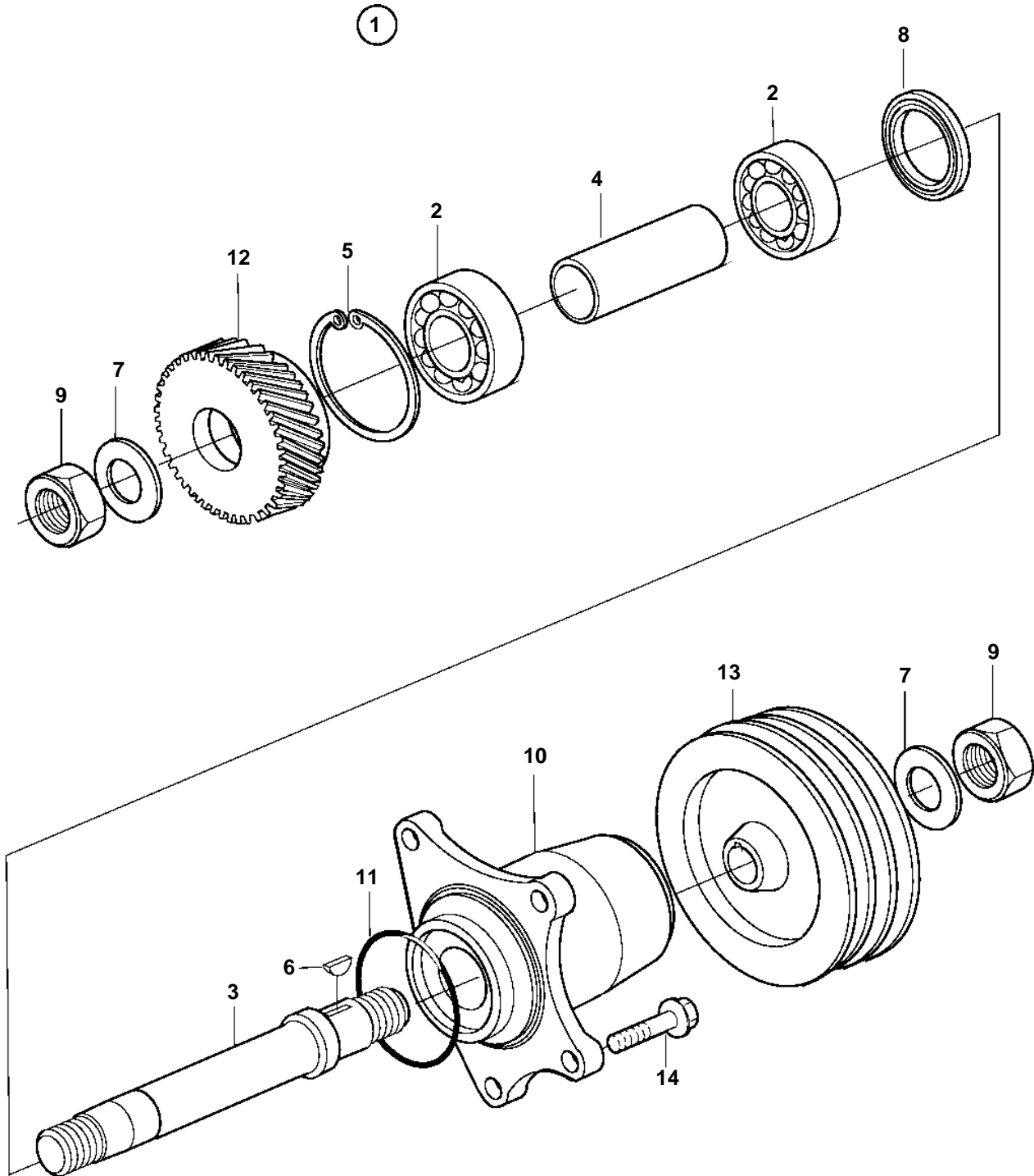


D12D-A MH, D12D-B MH, D12D-C MH, D12C-A MP, D12D-A MP, D12D-B MP, D12D-C MP, D12D-D MP



D12D-A MH, D12D-B MH, D12D-C MH, D12C-A MP, D12D-A MP, D12D-B MP, D12D-C MP, D12D-D MP

REF	PART NO.	QTY	DESCRIPTION
1		1	Power take-off
2	11013	2	· Ball bearing
3	3830551	1	· Shaft
4	862192	1	· Spacer sleeve
5	914533	1	· Snap ring
6	942406	1	· Woodruff key
7	955903	2	· Washer
8	958858	1	· Sealing ring
9	963762	2	· Hexagon nut
10	3828175	1	· Bearing housing
11	948981	1	O-ring
12	8170446	1	Gear
13	863652	1	V-belt pulley
14	965197	4	Flange screw